

# ASSEMBLY INSTRUCTION



**ITEM # SP003 SAINT PETE SIDE CHAIR**

**SIZE : W19.3" x D22" x H39.4"**

**ASSEMBLY TIPS :**

1. Remove hardware from box and sort by size
2. Please check to see that all hardware and parts are present prior start of assembly
3. Please follow attached instructions in the same sequence as numbered to assure fast & easy assembly

**Warning !**

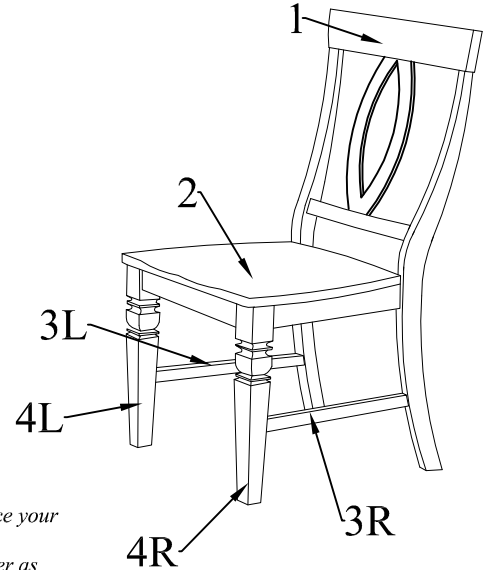
1. Don't attempt to repair or modify parts that are broken or defective . Please contact the store immediately .
2. This product is for home use only and not intended for commercial establishment

HARDWARE LIST		
No	Description	Qty
A	Allen Key M4 ( Short) 	1 pc
B	Jcbc Screw M6 x 80mm 	4 pcs
C	Jcbc Screw M6 x 35mm 	3 pcs
D	Spring Washer 1/4" 	7 pcs
E	Flat Washer 1/4" 	7 pcs
F	Wood Screw M4 x 38mm 	4 pcs
G	Spanner 12.8 	1 pc
H	Spring Washer 5/16" 	4 pcs
I	Flat Washer 5/16" 	4 pcs
J	Hex Nut 5/16" 	4 pcs

PART LIST		
No	Description	Qty
1	Back Rest	1Pc
2	Box Frame	1Pc
3	Strechter L & R	2Pcs
4	Front Leg L & R	2Pcs

**CARE & MAINTENANCE :**

- \* The touch of a soft cloth is all the maintenance your wood pieces will ever need.
- \* Never use harsh chemicals or abrasive cleaner as they could marks or destroy finish.

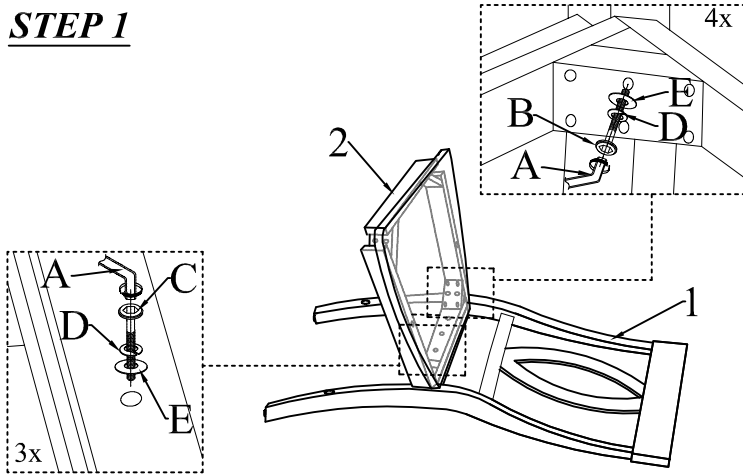


**IMPORTANT NOTE :**

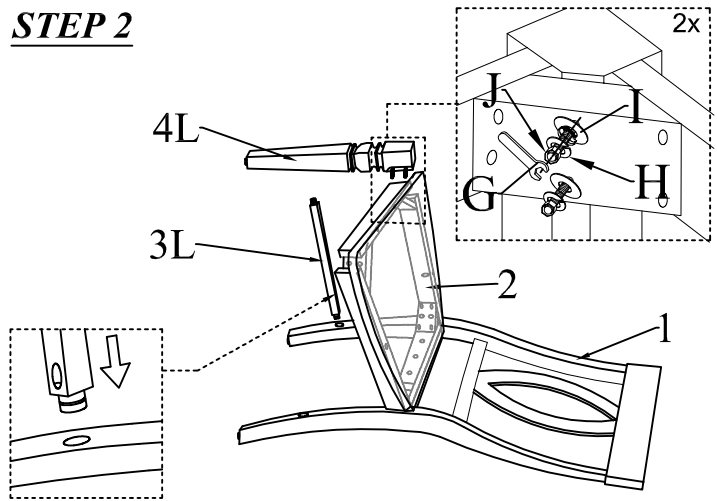
- \* Place all wooden parts on a clean and smooth such as a rug or carpet to avoid the parts from being scratched
- \* Before you begin , Kindly follow the assembly instructions step by step

**FULLY SETUP**

**STEP 1**



**STEP 2**



**STEP 3**

